

SHINOLA WATCHES

SIZING GUIDE

We created this printable sizing guide to help you judge the scale of our watches on your wrist.

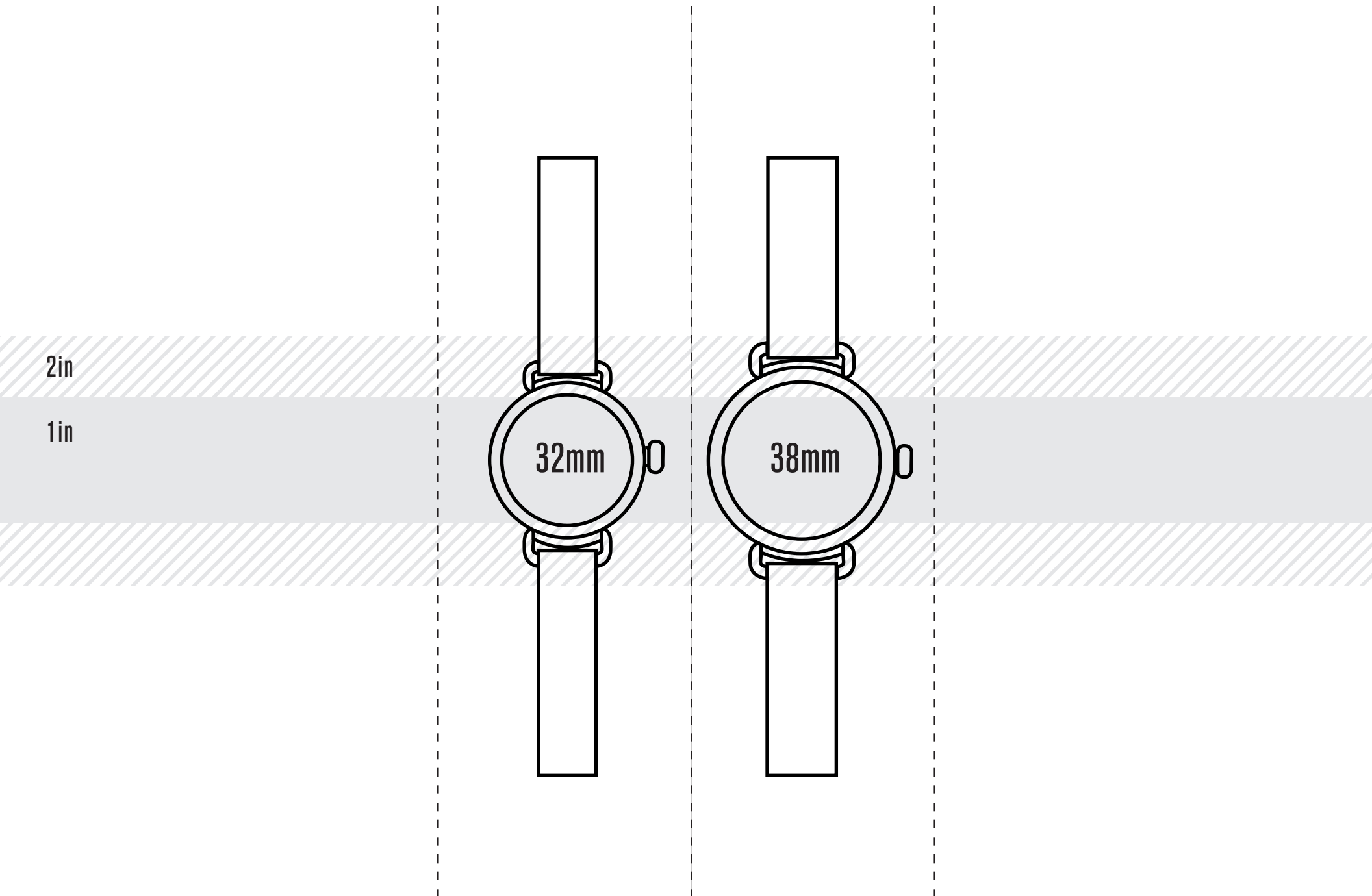
Print this template on an 8.5" x 11" piece of paper at 100% and cut out your preferred size.



RULER TO SCALE FOR REFERENCE



THE CANFIELD



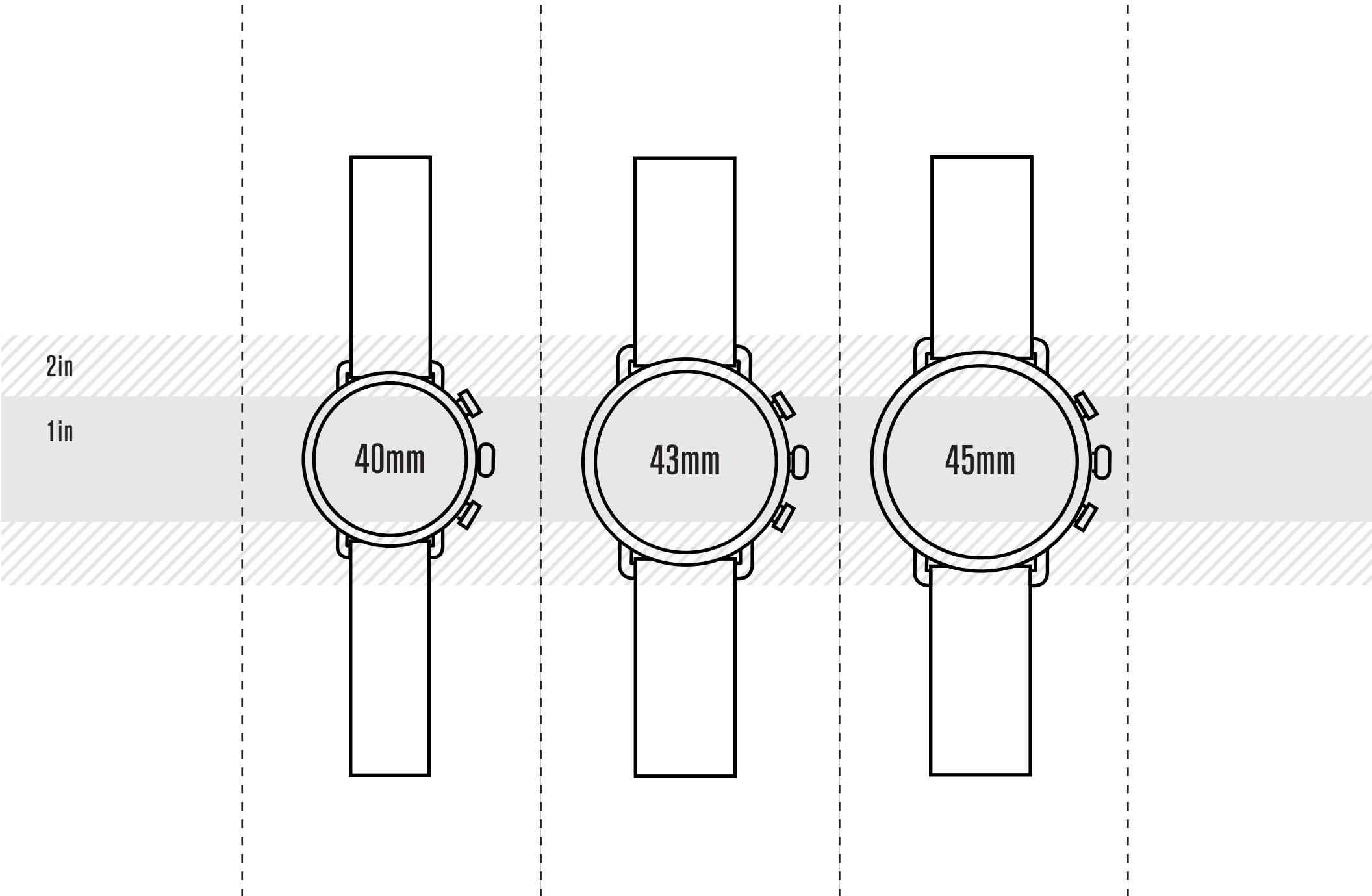
2in

1in

32mm

38mm

THE CANFIELD



2in

1in

40mm

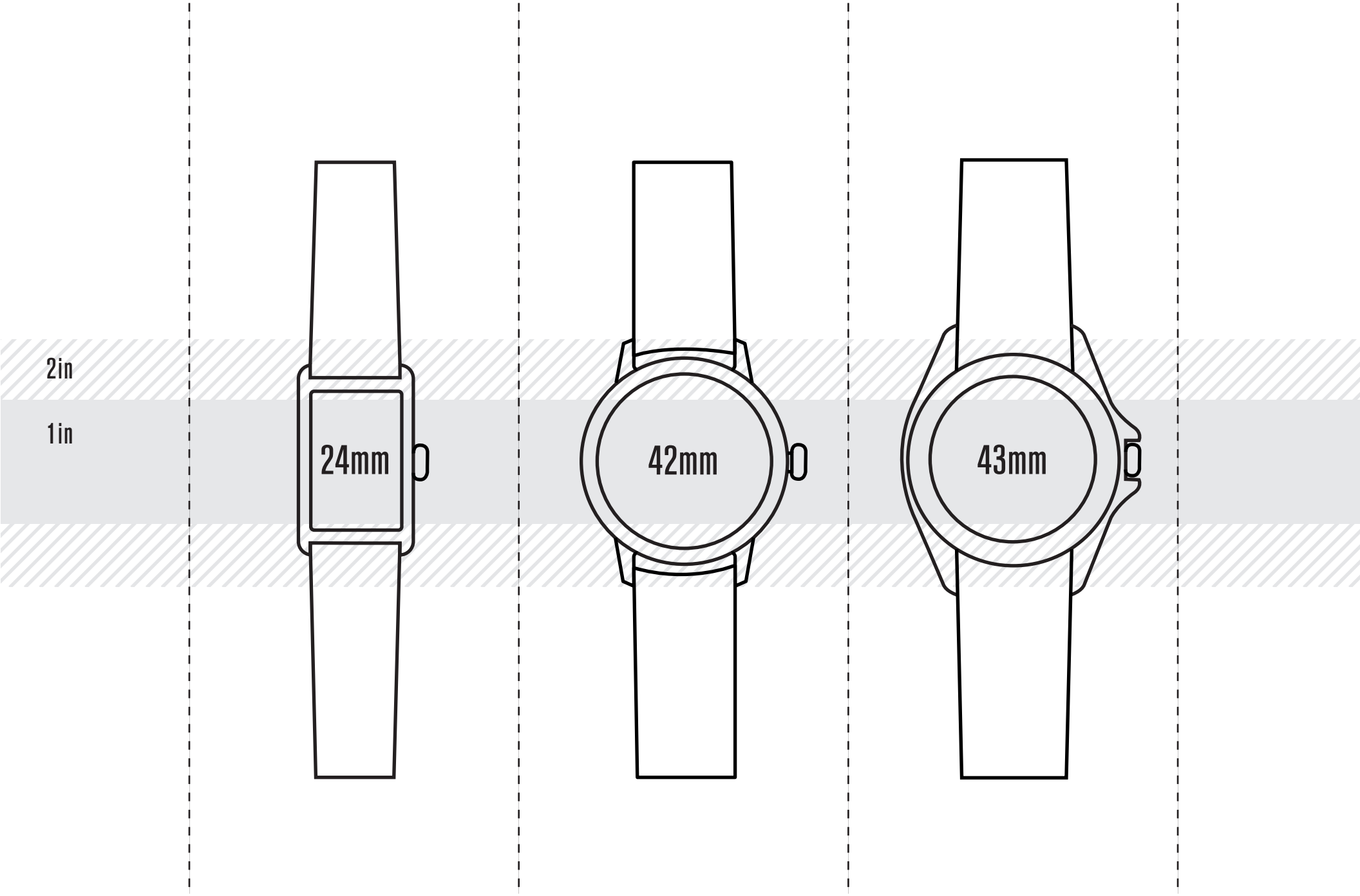
43mm

45mm

THE MULDOWNEY

THE BEDROCK

THE SHINOLA MONSTER



2in

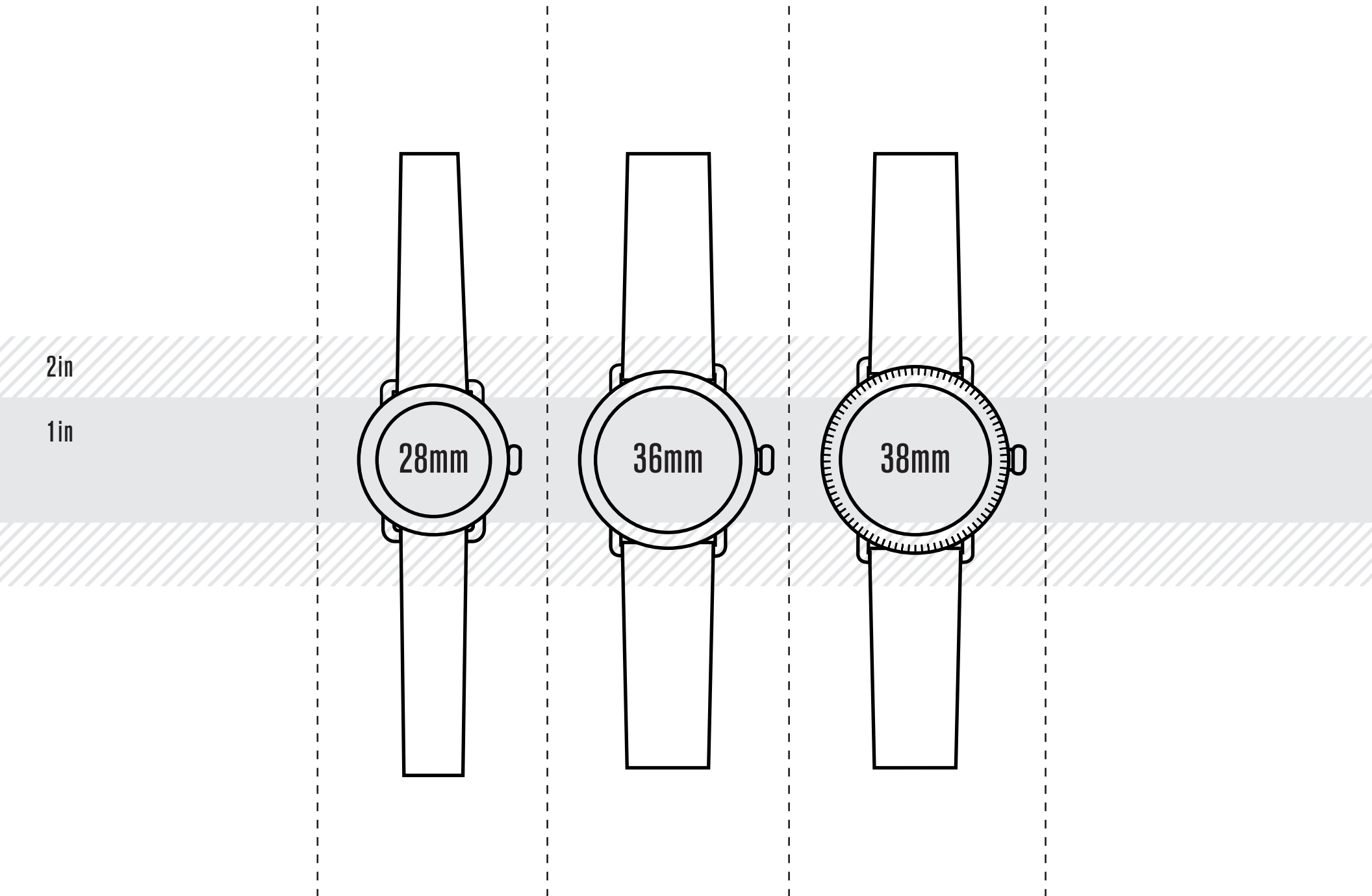
1in

24mm

42mm

43mm

THE RUNWELL



2in

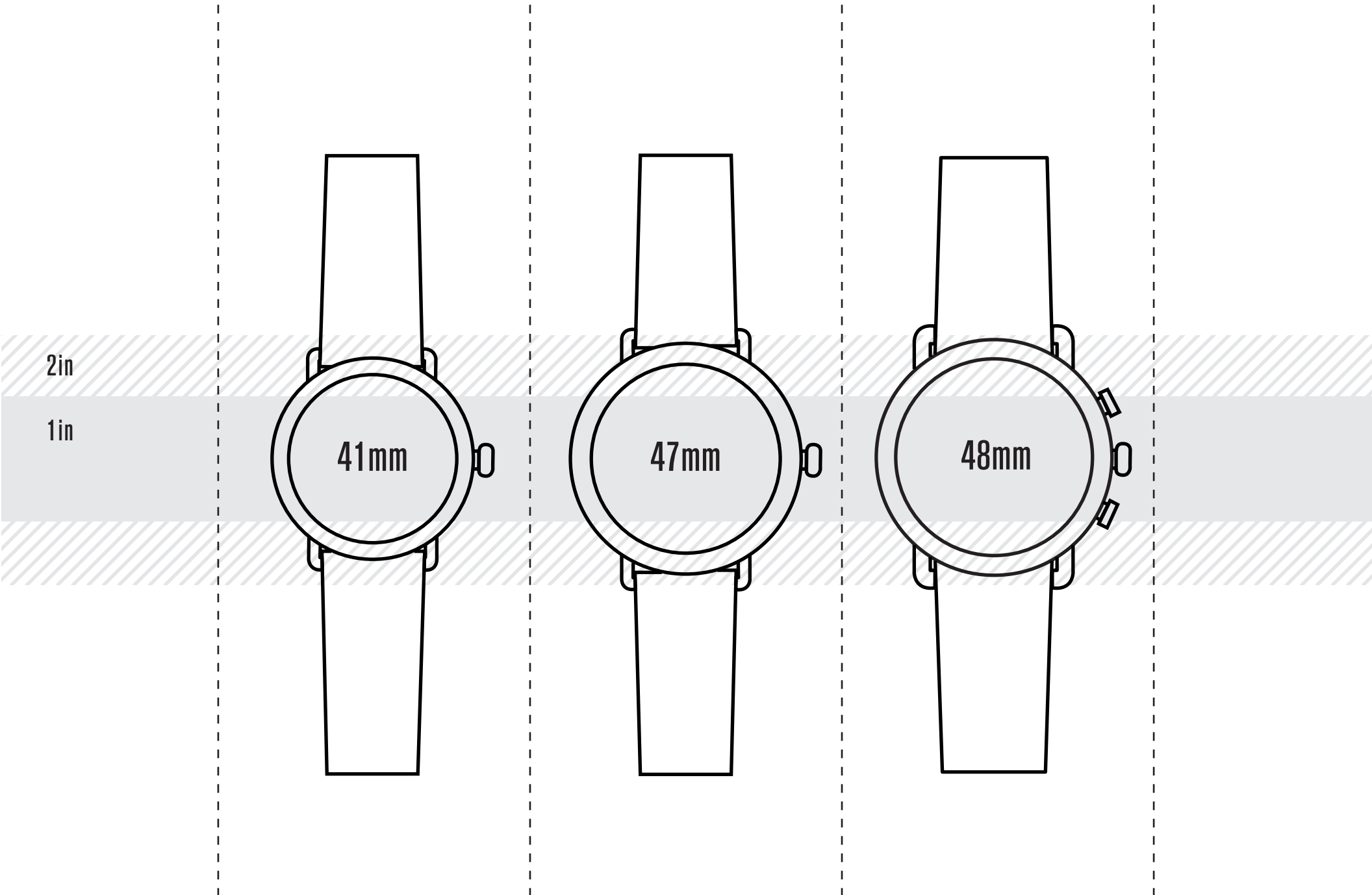
1in

28mm

36mm

38mm

THE RUNWELL



2in

1in

41mm

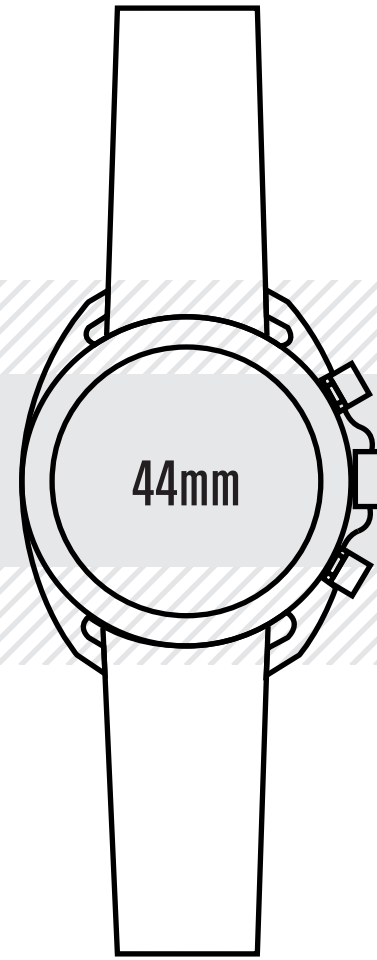
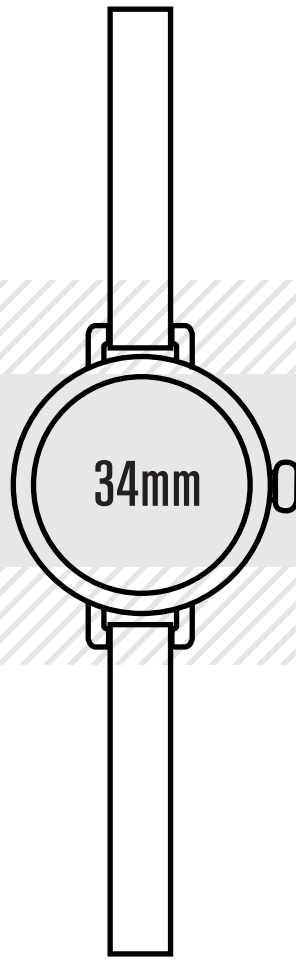
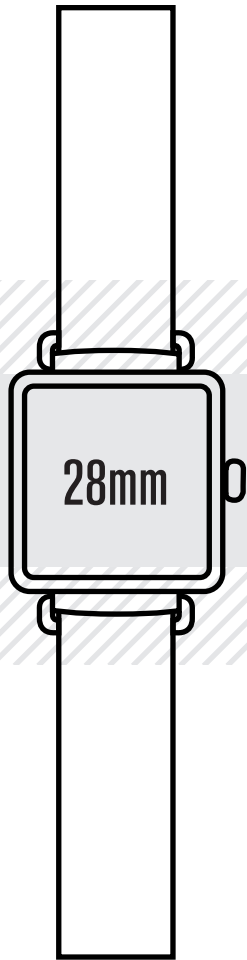
47mm

48mm

THE CASS

THE BIRDY

THE RAMBLER



2in

1in

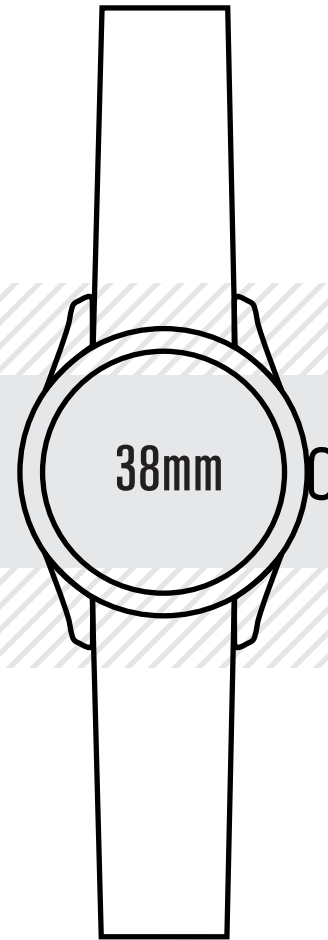
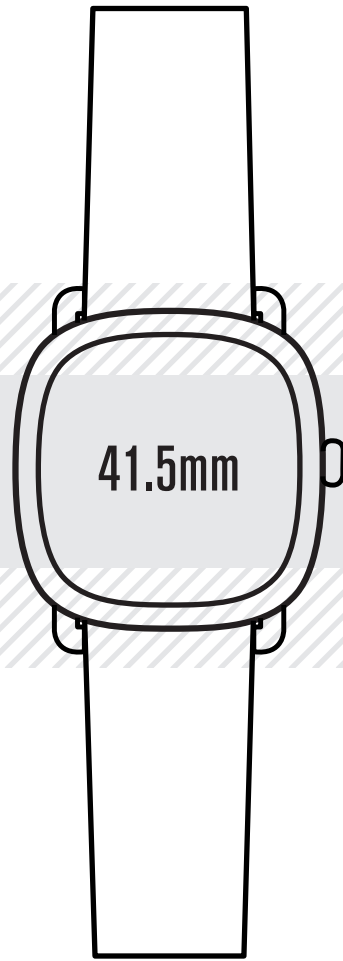
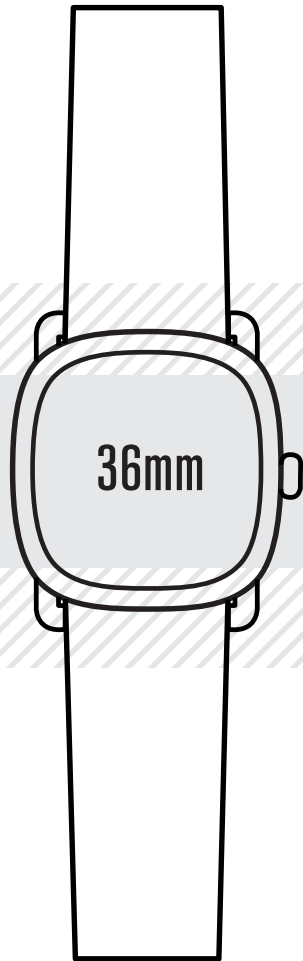
28mm

34mm

44mm

THE GUARDIAN

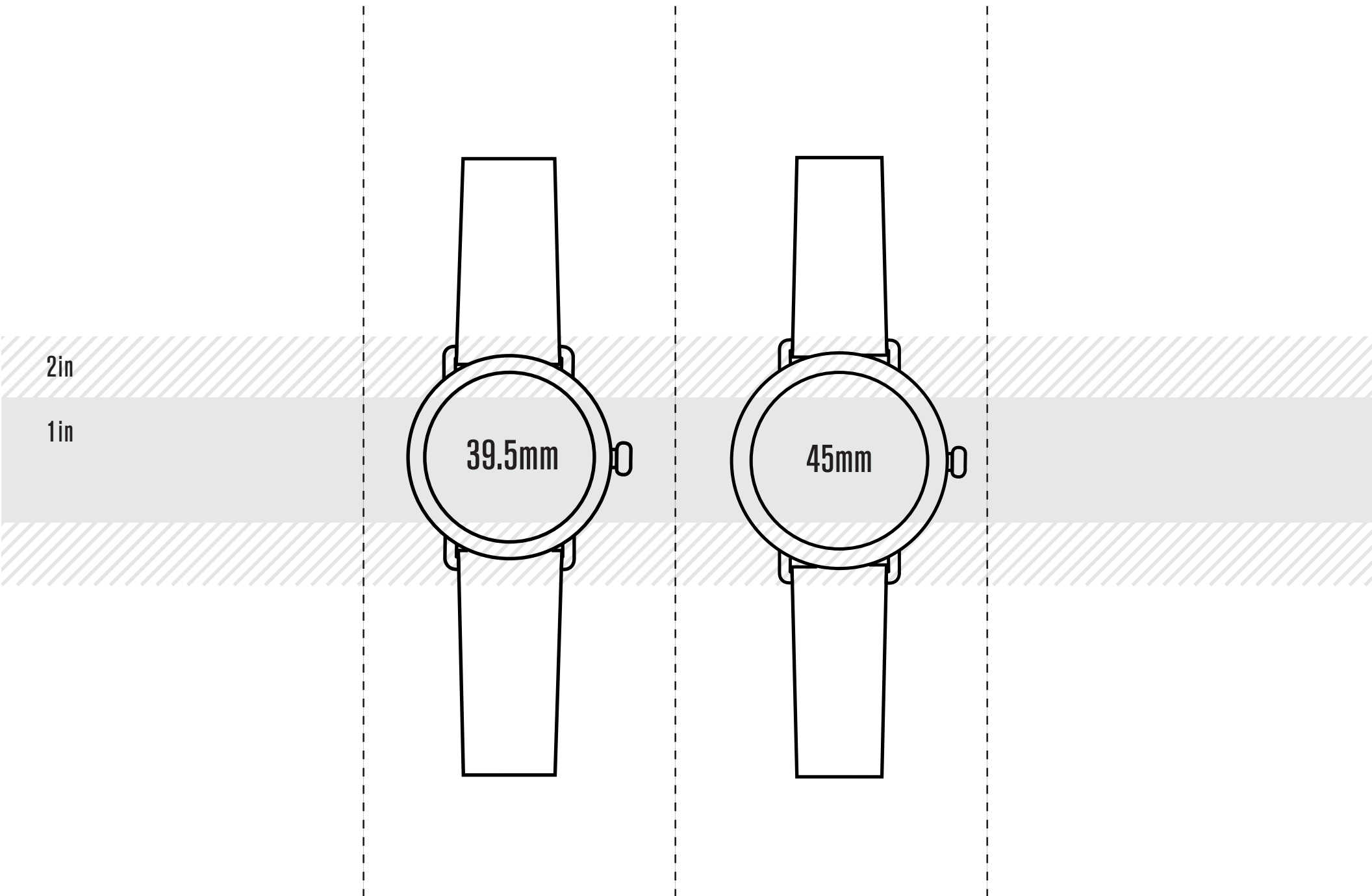
THE VINTON



2in

1in

THE RUNWELL AUTOMATIC



2in

1in

39.5mm

45mm